

## Basic Safety Rules

The scooter is designed for a single rider only. It is not intended or equipped for road use, off-road use, or use with any motorized device.

- Check all screws and fittings are secure before giving the scooter to a child.
- Add oil for lubrication periodically and replace bearings when worn. Regular maintenance enhances the product safety.
- Use on flat, clean, and dry surfaces. Avoid pedestrians and unstable surfaces.
- Use the scooter with caution as riding requires skill and practice so as to avoid falls or collisions.
- Use the scooter at your own risk. We shall not be held responsible for misuse. Do not perform stunts or dangerous maneuvers with the scooter.

## Warning

- Use with adult supervision.
- The braking mechanism may get hot from continuous use, do not touch the brake after it has been used.
- Keep fingers away from moving parts to avoid pinching and entrapment.
- Never allow more than one person at a time on the scooter.
- Never ride at night, obey all outdoor regulations, and give right of way to pedestrians.
- Be careful when riding on wet pavement as braking and wheel traction may be reduced.
- Do not modify the scooter or change the scooter in any way not outlined in these instructions.



Designed & Marketed By:

**R FOR RABBIT BABY PRODUCTS PVT. LTD.**

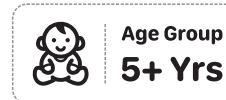
Add: 708, 7th Floor, Pinnacle Business Park, Corporate Road, Prahlad Nagar, Ahmedabad, Gujarat 380015

C: +91-79-410-57595 | W: [www.rforrabbit.com](http://www.rforrabbit.com) | E: [customercare@rforrabbit.com](mailto:customercare@rforrabbit.com)

Manufactured by: PlayWay Systems, Add. 4/B, Maninagar, Nr. Ashok Garden, Mavdi Plot, Rajkot, Gujarat-360007



\*Picture shown is for illustrative purpose only. Actual product may vary from image.



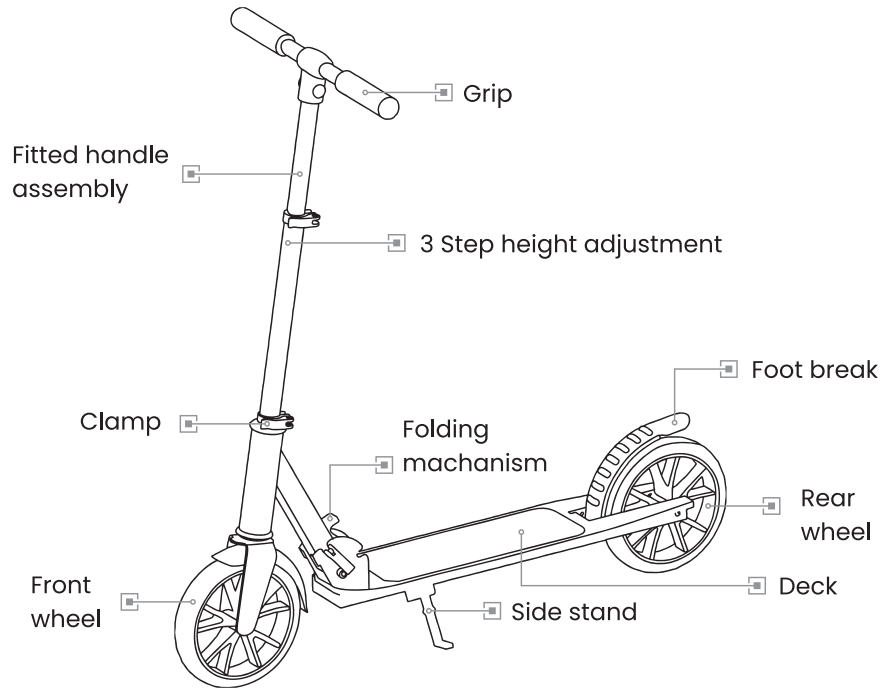
# ROAD RUNNER SPORTZ

## Smooth & Sporty Kick Scooter for Kids

### Installation & User Manual

IMPORTANT – KEEP THESE INSTRUCTIONS FOR FUTURE REFERENCE.  
FAILURE TO OBSERVE THESE INSTRUCTIONS MAY AFFECT THE SAFETY OF YOUR CHILD!

## Parts

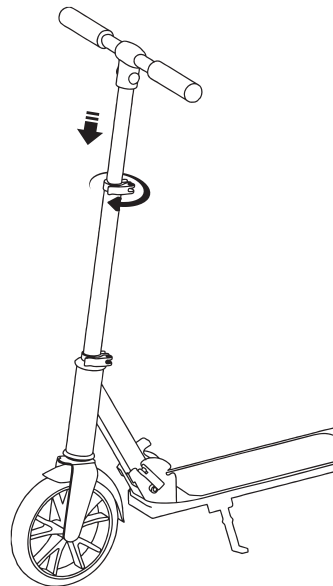


## Adding the Handles

Insert the fitted handle assembly into the handle bar and close the clamp to secure the handle

### Notes:

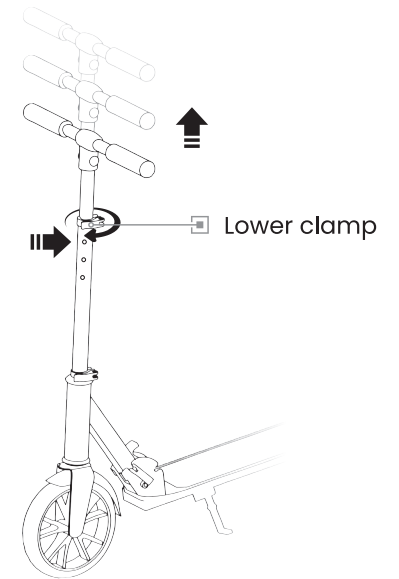
- Adjust the screw under the upper clamp to tighten the clamp in place if need.
- When the handles are detached, they can be stored in the handle fixture.



## Adjusting the Stem

Open the lower clamp, press the metal peg in, and raise or lower the stem to the desired height level. The peg should pop into place. Close the lower clamp to secure the stem.

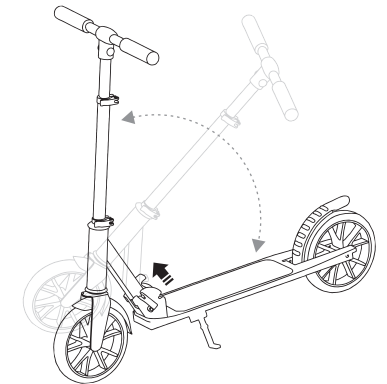
Note: In order for the scooter to be safe to ride (1) the metal peg must pop into one of the designated holes and (2) the lower clamp must be closed.



## Folding and Unfolding the Scooter

### To Fold

1. Hold the scooter's stem and use your other hand to pull the latch lock up towards the stem.
2. Continue to hold the latch lock up and fold the stem down towards the deck.
3. Release the latch lock and make sure it locks into the lowest notch. Check that all parts are secure before lifting the scooter.



### To Unfold

1. Hold the scooter's stem and use your other hand to pull the latch lock up towards the stem.
2. Continue to hold the latch lock up and lift the stem up away from the deck.
3. Release the latch lock and make sure it locks into the last notch. Check that all parts are secure before using the scooter.

