

## Battery Instructions

- Please note that batteries are not included with this product.
- We always recommend to keep batteries away from children to prevent accidental ingestion.
- Remove the battery if the product will not be used for an extended period.
- Dispose of used batteries safely, following local disposal regulations

## Safety Instructions

- Should be assembled by an adult
- Always supervise your child while using the tricycle.
- Only one child should use the tricycle at a time.
- Do not overload or exceed the recommended weight limit.
- Keep the tricycle away from stairs, slopes, thresholds, or uneven surfaces to prevent tipping or falls.
- Keep away from fire, heat sources, or direct flames
- Avoid using the tricycle on roads, driveways, or busy areas with traffic.
- Do not allow other children to push the tricycle while it is occupied.
- Use caution at all times to prevent falls or collisions.
- Regularly inspect all parts to ensure everything is secure and functioning properly.

## Maintenance

- Clean the tricycle with a soft damp cloth. Avoid using harsh chemicals, auto wax, or high-pressure water.
- Check and tighten all screws regularly to ensure nothing is loose or missing.



Designed & Marketed By:  
**R FOR RABBIT BABY PRODUCTS PVT. LTD.**  
307, 3rd Floor, Pinnacle Business Park, Corporate Road,  
Prahladnagar, Ahmedabad, Gujarat, India-380015  
For Customer Complaints/Feedback:  
☎ +91-734-834-0934 / 734-834-9340  
🌐 www.rforrabbit.com  
✉ customercare@rforrabbit.com  
Find us on:

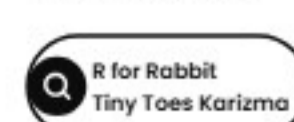
Manufactured by: **PlayPipers Industries LLP**  
Survey No.1439, Village-Moraiya,  
Taluka Sanand, Ahmedabad, Gujarat, India-382213

### For Installation Video

Scan QR or  
Visit YouTube



Search for  
Product Details



## Tricycle



\*Picture shown is for illustrative purposes only. Actual product may vary from image.  
Batteries are not included.

## TINY TOES KARIZMA

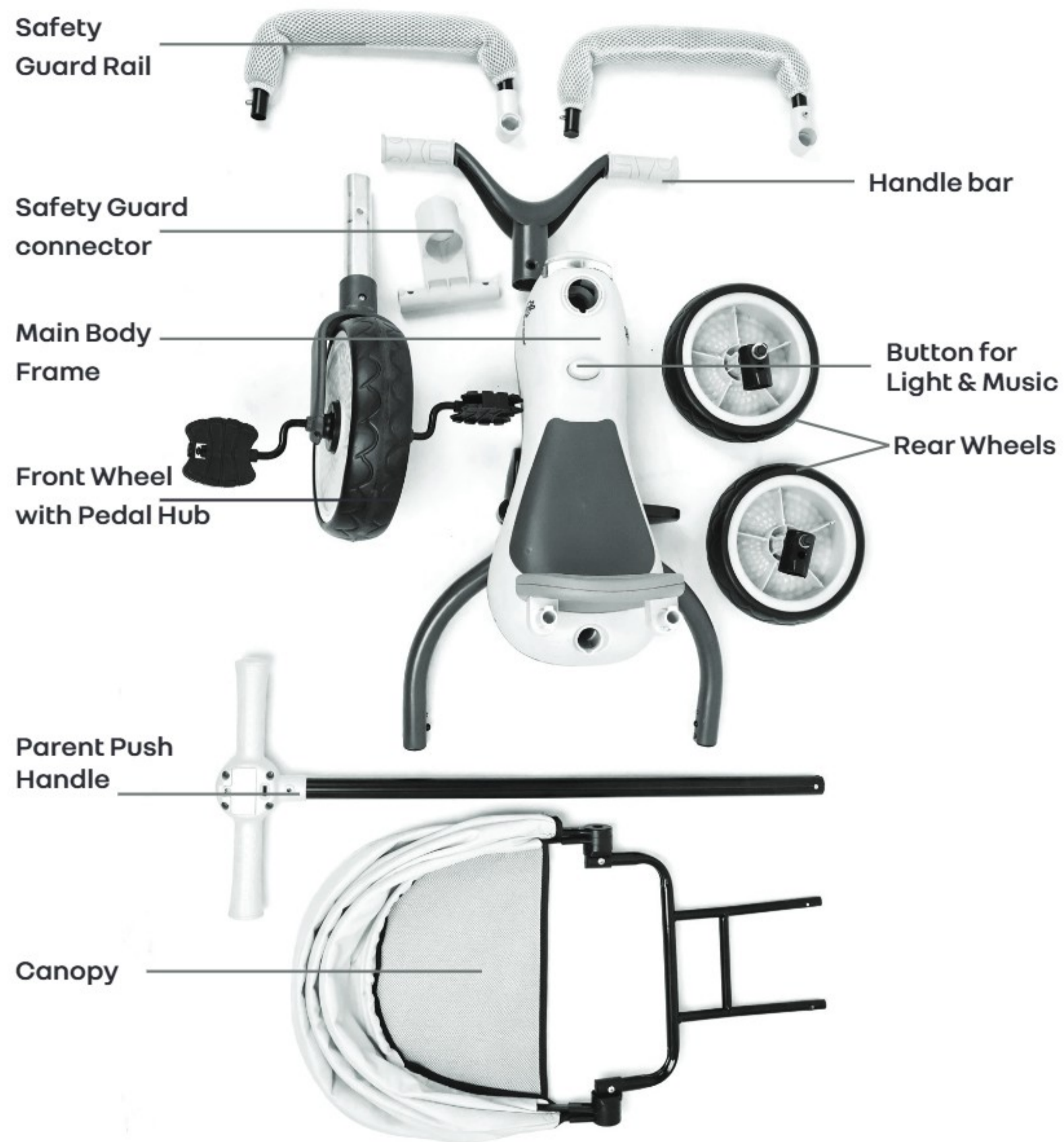
Style, Safety & Music in Every Ride

### Installation & User Manual

IMPORTANT - KEEP THESE INSTRUCTIONS FOR FUTURE REFERENCE.  
FAILURE TO OBSERVE THESE INSTRUCTIONS MAY AFFECT THE SAFETY OF YOUR CHILD!



## Components



## Installation Steps

### Step 1:

Connect the front wheels to the main body frame.



### Step 2:

Place the safety guard connector over the front wheel rod.



### Step 3:

Insert the handlebar onto the front wheel rod until it clicks into position.



### Step 4:

Fix the rear wheels onto their designated slots at the back of the main frame.



**Step 5:**

Position the safety guard rail behind the backrest and lock it in place.



**Step 6:**

Secure the pushpin into the safety guard connector until you hear a 'click'.



**Step 7:**

Attach the canopy to the backrest area until it clicks into position.



**Step 8:**

Insert the parent push handle into the slot behind the backrest until it clicks securely.



**Step 9:**

Your Tiny Toes Karizma is now ready for your little one's ride!



**Steps to Insert Batteries**

**Step 1:**

Remove the screw below the main body frame.



**Step 2:**

Insert two AA batteries

